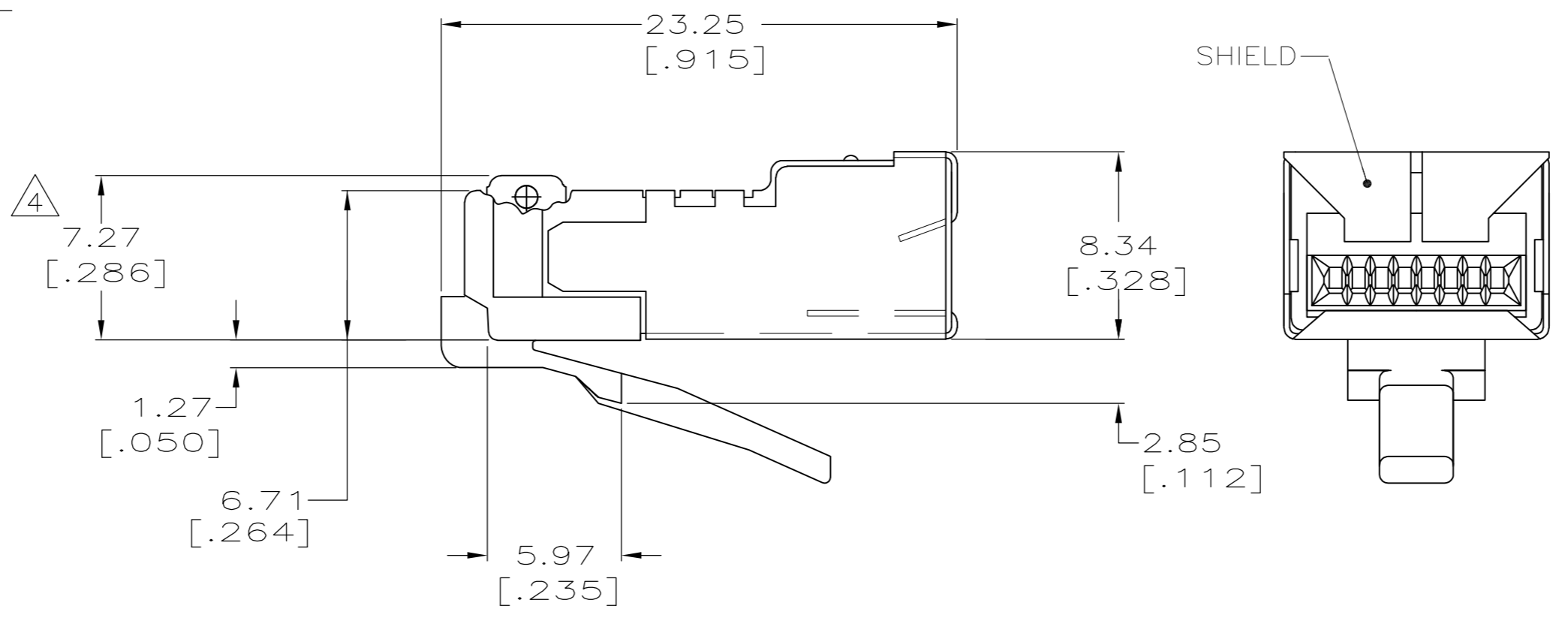
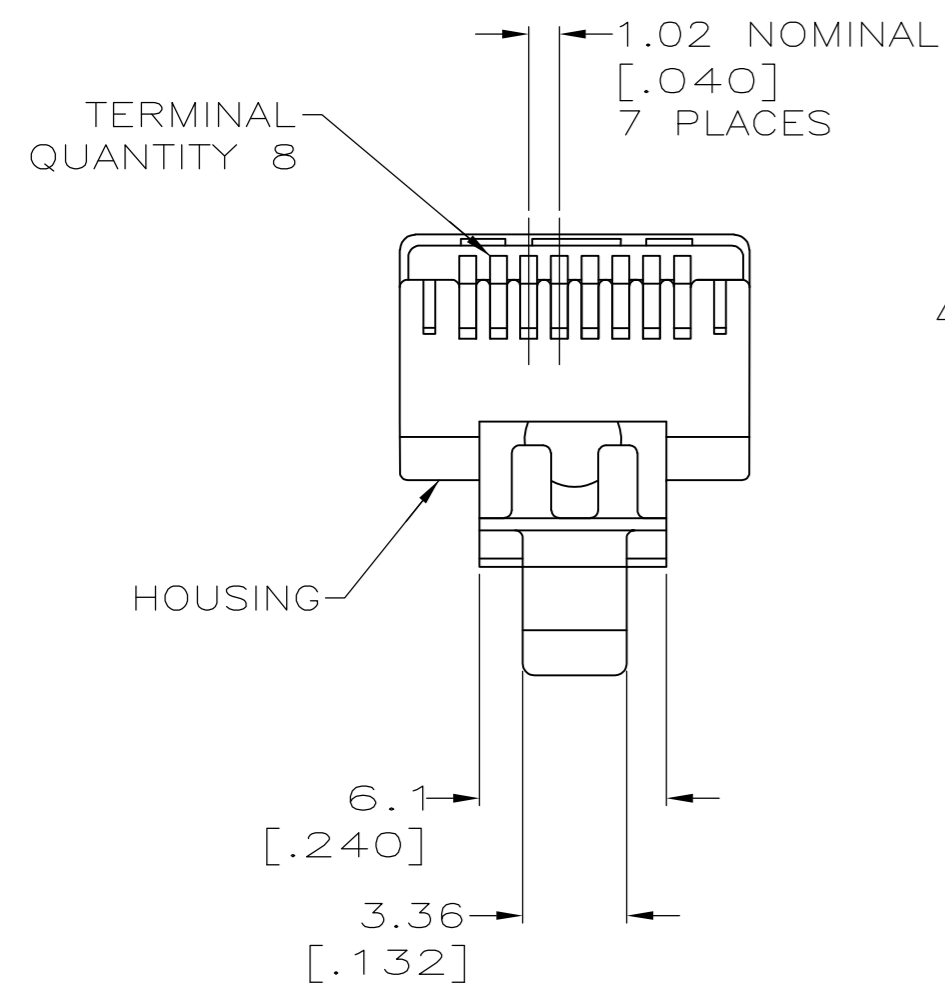
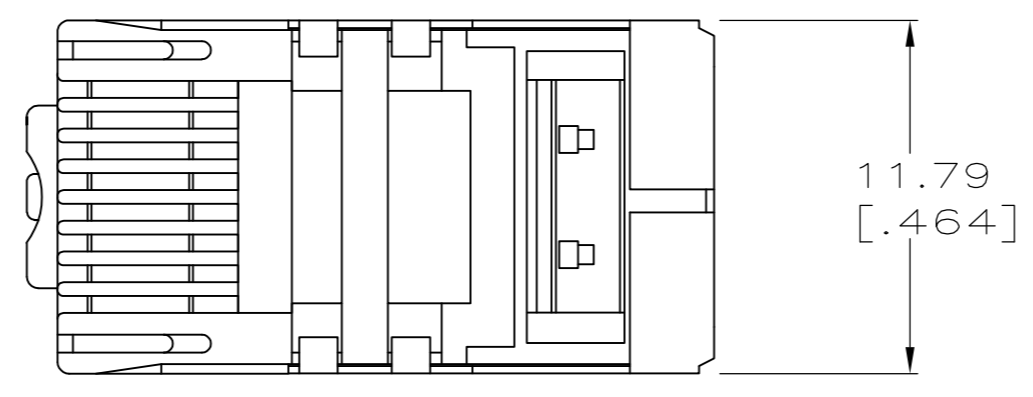
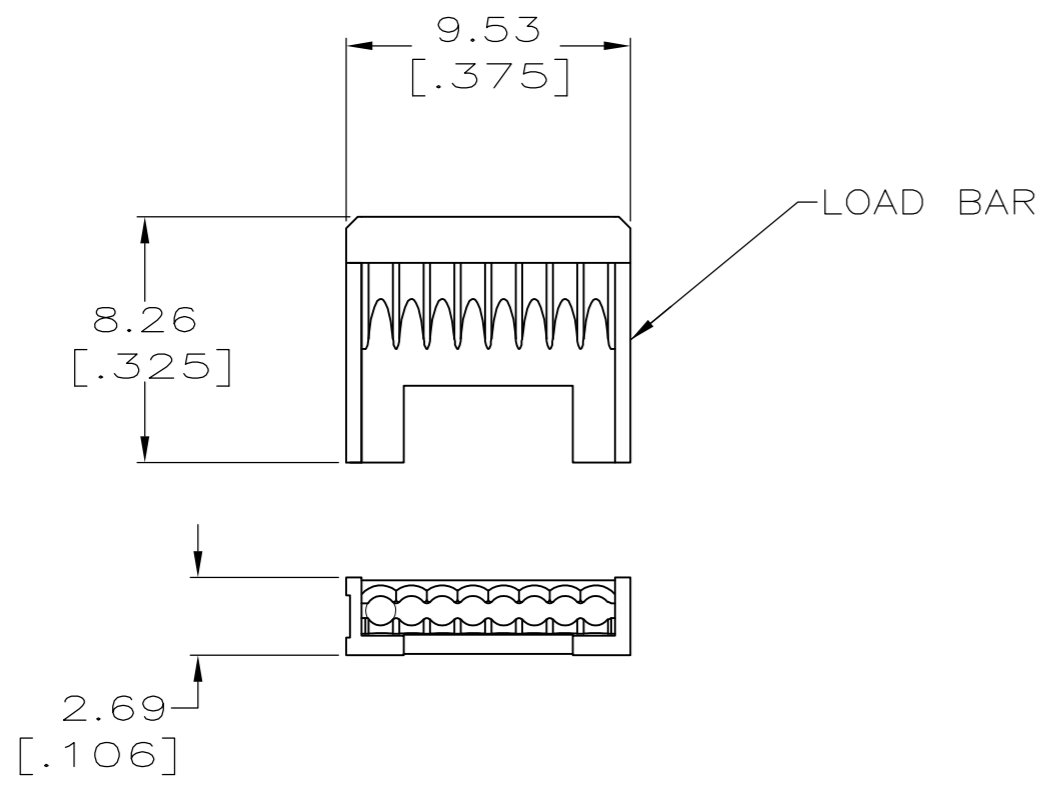


THIS DRAWING IS UNPUBLISHED. RELEASED FOR PUBLICATION
 © COPYRIGHT BY TYCO ELECTRONICS CORPORATION. ALL RIGHTS RESERVED.

LOC	DIST	REVISIONS					
HM	00	P	LTR	DESCRIPTION	DATE	DWN	APVD
			C	REV ECO 06-022160	30OCT06	LH	CD
			D	SUPSD 5/4,REV ECO-07-023088	08JAN08	LH	BM
			E	REV ECO-08-011018	05MAY08	LH	BM



- 1. DIMENSIONS ARE MAXIMUM UNLESS OTHERWISE SPECIFIED.
- 2. MATERIAL:
 HOUSING - 94V-0 RATED POLYCARBONATE, CLEAR
 TERMINAL - PHOSPHOR BRONZ, PLATED WITH 1.27µm [.000050] MINIMUM THICK GOLD IN LOCALIZED GOLD PLATE AREA, GOLD FLASH OVER THE REMAINDER, OVER 2.54µm [.000100] MINIMUM THICK NICKEL UNDERPLATE.
 SHIELD - COPPER ALLOY WITH 1.27µm [.000050] MINIMUM SEMI-BRIGHT(SATIN) NICKEL.
 LOAD BAR - PBT POLYESTER, BLACK.
- 3. PLUG WILL ACCEPT A 24 OR 26 SOLID CONDUCTOR, PROVIDED THE INSULATED CONDUCTOR DIAMETER IS 0.89 [.035] TO 0.99 [.039] WITH A SHIELDED, PLIABLE, LOOSE CABLE JACKET OF 4.83 [.190] TO 5.21 [.205] DIAMETER OR A SHIELDED, RIGID, HARD CABLE JACKET OF 4.83 [.190] TO 5.08 [.200] DIAMETER.
- 4. TERMINATED DIMENSION 6.15 [.242] MAXIMUM.
- 5. PACKAGED 500 ASSEMBLIES AND 500 LOAD BARS PER CARTON.
- 6. PACKAGED 100 ASSEMBLIES AND 100 LOAD BARS PER BOX.
- 7. PACKAGED 25 ASSEMBLIES AND 25 LOAD BARS PER BAG.
- 8. UL RECOGNIZED: FILE NUMBER E81956

SUPSD BY 5-569550-2	7	5-569550-4
	6	5-569550-3
	5	5-569550-2
	PACKAGED	PART NUMBER

THIS DRAWING IS A CONTROLLED DOCUMENT.		DWN	G. GARRETT	10-11-95	Tyco Electronics Corporation Harrisburg, PA 17105-3608	
DIMENSIONS: mm [INCHES]		CHK	C. WHITT	10-31-95		
TOLERANCES UNLESS OTHERWISE SPECIFIED:		APVD	E. LAURER	11-7-95		
0 PLC ± - 1 PLC ± - 2 PLC ± - 3 PLC ± - 4 PLC ± - ANGLES ± - FINISH ± -		NAME	MODULAR PLUG ASSEMBLY, 8 POSITION, SHIELDED, ROUND CABLE, SOLID WIRE, HIGH PERFORMANCE			
MATERIAL - FINISH -		PRODUCT SPEC	108-1163		SIZE	A2
		APPLICATION SPEC	114-6053		CAGE CODE	00779
		WEIGHT	-		DRAWING NO	C=569550
		CUSTOMER DRAWING			RESTRICTED TO	-
		SCALE	4:1		SHEET	1 OF 1
		REV	E			